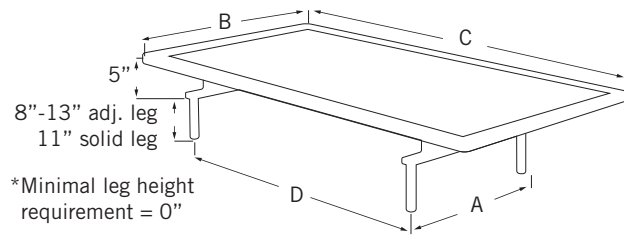


# UNIVERSAL BASE

## Specifications

For warranty/support information,  
call toll free: 800-888-3078

### UNPACKAGED BASE DIMENSIONS AND WEIGHT



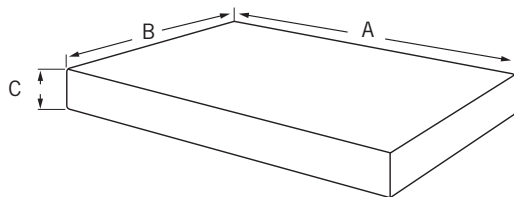
SIZE	A	B	C	D	HEIGHT	NWH WEIGHT	WH WEIGHT	PT WEIGHT
T74	26	37.5	74	NWH = 60 WH/PT = 58	5	92 lbs.	122 lbs.	126 lbs.
T80	26	37.5	80		5	95 lbs.	123 lbs.	127 lbs.
F74	36	53	74		5	115 lbs.	142 lbs.	149 lbs.
F80	36	53	80		5	115 lbs.		166 lbs.
Q80	36	59	80		5	133 lbs.	153 lbs.	155 lbs.
K	45.5	75.5	80		5	188.8 lbs.	249 lbs.	258 lbs.
CK	45.5	72.5	84		5	203.8 lbs.	248 lbs.	252 lbs.
SCK	26	36	84		5	91 lbs.	125.2 lbs.	130 lbs.

**MAX WEIGHT**  
850 lbs (385.5KG)  
evenly distributed across  
base (includes mattress  
and all occupants)

Dimensions : ± 1

Unit : Inches

### PACKAGING / SHIPPING DIMENSIONS AND WEIGHT



SIZE	A	B	C	VOLUME	NWH WEIGHT	WH WEIGHT	PT WEIGHT
T74	75	39	5.5	9.3	106 lbs.	134.6 lbs.	139.6 lbs.
T80	82	39.5	5.5	10.3	109 lbs.	135 lbs.	140 lbs.
F74	76	54.75	5.5	13.2	131 lbs.	156 lbs.	166 lbs.
F80	82	54	5.5	14.1	131 lbs.		186 lbs.
Q80	82	60.5	5.5	15.8	145 lbs.	170 lbs.	172 lbs.
K	77.5	42.5	11	21	202 lbs.	272 lbs.	274.8 lbs.
CK	74.5	44.5	10.5	20.1	217 lbs.	271 lbs.	274.2 lbs.
SCK	86	38	10.4	9.5	105 lbs.	141.8 lbs	154 lbs.

**SHIPPING PACKAGED  
PRODUCT**  
meets ISTA 3A and ISTA 6A  
Performance Test for Individual  
Packaged Product Weighing Up  
to 150 lb (68 kg.).

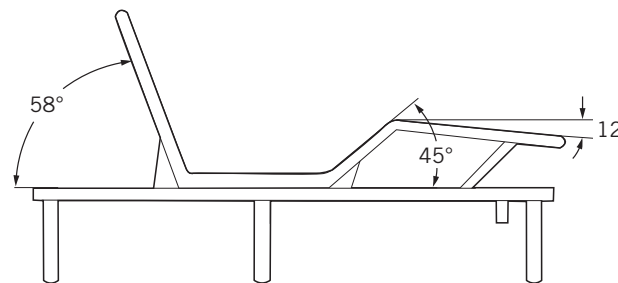
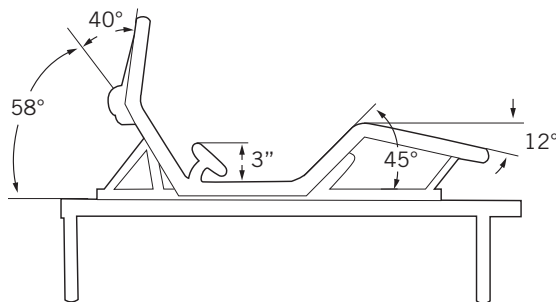
meets ISTA 3B and ISTA 6B  
Performance Test  
for Individual Packaged Product  
Weighing Over 150 lb (68 kg.)

Dimensions : ± 1

Unit : Inches

#### NOTE:

All packaged weight values ± 5 lb. (2.27 kg.)



#### ELECTRICAL SPECIFICATION AND CERTIFICATIONS

##### REMOTE CONTROL

Wireless

Radio Frequency: 2.4GHz

##### MAXIMUM DAILY USAGE

Duty Cycle: 10%.

2 min. / 18 min.

##### PACEMAKER WARNING

This product may produce a vibrating sensation. It is possible that individuals with heart assist pacemakers may experience a sensation similar to exercise. Consult physician for complete information.

\*THE ILLUSTRATIONS PROVIDED MAY VARY FROM THE PRODUCT PURCHASED. THIS DOCUMENT IS TO BE USED AS A REFERENCE, ACCESSORIES SUCH AS HEADBOARD BRACKETS, ADDITIONAL LEGS, AND CASTERS MAY BE REQUESTED AT ADDITIONAL CHARGE.